

# Passenger Entrance

## QUOTE REQUEST FORM



### CUSTOMER DATA:

Company: \_\_\_\_\_

Address: \_\_\_\_\_

\_\_\_\_\_

Contact Person: \_\_\_\_\_

Phone: \_\_\_\_\_

Quote Needed By: \_\_\_\_\_ Estimated Ship Date: \_\_\_\_\_

Original Manufacturer: \_\_\_\_\_

### JOB SITE DATA:

Job Name: \_\_\_\_\_

Location: \_\_\_\_\_

Elevator #: \_\_\_\_\_ Building: \_\_\_\_\_

Floors: \_\_\_\_\_

E-mail: \_\_\_\_\_

### DOOR TYPE - (1 1/4 in Thick Panels)

SINGLE SPEED CENTER OPENING - 1CO

TWO SPEED CENTER OPENING - 2CO

SINGLE SPEED SIDE OPENING - 1SO

TWO SPEED SIDE OPENING - 2SO

### QUANTITY

LANDING DOORS \_\_\_\_\_

CAR DOORS \_\_\_\_\_

### HANDING

CENTER

LEFT

RIGHT



### OPENING WIDTH

36 in  54 in

42 in  60 in

48 in  OTHER \_\_\_\_\_

### OPENING HEIGHT

84 in  OTHER \_\_\_\_\_

96 in \_\_\_\_\_

108 in

### FINISH

PAINT RAL \_\_\_\_\_ (SEE COLOR CHART)

STAINLESS STEEL 304 #4

STAINLESS STEEL 316 #4

BRONZE MUNTZ #4

OTHER \_\_\_\_\_

### SILL CONSTRUCTION

EXTRUDED ALUMINUM

NICKEL SILVER

STAINLESS STEEL

BRONZE

### SILL SUPPORT

PEELLE TOWER STRUCTURE

STRUCTURAL SUPPORT  
BY GENERAL CONTRACTOR

### DOOR OPERATOR

STANDARD GAL

OTHER (TEMPLATE REQUIRED)

### HOISTWAY WALL

THICKNESS \_\_\_\_\_ in

MASONRY (BLOCK)

DRYWALL

### FRAME TYPE

BOLTED KNOCK-DOWN

WELDED ONE-PIECE

WELDED AND MITRED

### UNLOCKING KEY LAYOUT

STD ESCUTCHEON

TRI-LOK

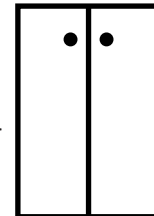
NONE

### KEYHOLE LOCATION

LOOKING FROM HALLWAY

LEFT

RIGHT

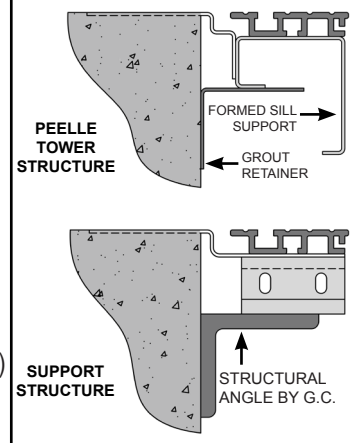


ONLY REQUIRED FOR  
CENTER OPENING DOORS

### STANDARD CONSTRUCTION SPECIFICATIONS

- 1) Passenger Entrances are 1-1/2 hour fire rated UL labeled (Max sizes shown on drawings)
- 2) Door Panels: 16 Gauge Powder Coated, 304 #4, 316 #4 Stainless Steel or Bronze Muntz #4 Face Sheet, 16 ga Galvanized Back Sheet
- 3) Door Guides: (2) with 14 ga safety retainer (1) per door panel
- 4) Standard GAL equipment mounting provisions are included
- 5) Panels for use with non-GAL operators will require drilling in the field or a template provided to Peelle
- 6) Frames: 14 Gauge Powder Coated, #4 Stainless Steel with a 2" square profile (bolted, welded, or welded and mitred)
- 7) Fascia: 16 gauge galvanized with maximum 12 ft floor height maximum (blind fascia for skipped or bypassed floors are non- standard)
- 8) Standard Header and Strut Design: 12 Gauge Galvanized, including Hoistway Material (header, struts, etc.)
- 9) Sill Construction: Aluminum (Std), Nickel Silver, Stainless Steel or Bronze are optional
- 10) Wall thickness 6" deep to 18" deep

### Grouted Sill Support



# RAL COLOR CHART

UNLESS NOTED \*\*\* STANDARD PAINT FINISH IS GLOSS



RAL 1014  
IVORY



RAL 1015  
LIGHT IVORY



RAL 1018  
ZINC YELLOW



RAL 1019 \*\*\*  
GREY BEIGE  
SEMI GLOSS



RAL 1023 \*\*\*  
TRAFFIC YELLOW  
HIGH GLOSS



RAL 3000 \*\*\*  
FLAME RED  
HIGH GLOSS



RAL 3002  
RED



RAL 3003  
RUBY RED



RAL 5002  
ULTRAMARINE  
BLUE



RAL 5003  
SAPPHIRE BLUE



RAL 5005  
SIGNAL BLUE



RAL 5010  
GENTIAN BLUE



RAL 5011  
STEEL BLUE



RAL 5013  
COBALT BLUE



RAL 5015  
SKY BLUE



RAL 5017  
TRAFFIC BLUE



RAL 5019  
CAPRI BLUE



RAL 5021  
WATER BLUE



RAL 5024  
PASTEL BLUE



RAL 6005  
GREEN



RAL 6014  
YELLOW OLIVE



RAL 6018  
YELLOW GREEN



RAL 6029  
MINT GREEN



RAL 7004  
SIGNAL GREY



RAL 7006  
BEIGE GREY



RAL 7010 \*\*\*  
GREY  
SANDTEXTURE



RAL 7012  
BASALT GREY



RAL 7016  
ANTHRACITE  
GREY



RAL 7021  
BLACK GREY



RAL 7030  
STONE GREY



RAL 7032  
PEBBLE GREY



RAL 7035  
LT GREY



RAL 7037 \*\*\*  
DUSTY GREY  
SEMI GLOSS



RAL 7039  
QUARTZ GREY



RAL 7040  
GREY



RAL 7043  
TRAFFIC GREY



RAL 7044 \*\*\*  
GREY PRIME  
MATTE



RAL 7045  
TELEGRAY



RAL 7046  
TELEGRAY 2



RAL 7047  
TELEGRAY 4



RAL 8017  
CHOCOLATE  
BROWN



RAL 8024  
BEIGE BROWN



RAL 8019  
GREY BROWN



RAL 8028  
TERRA BROWN



RAL 9001  
CREAM



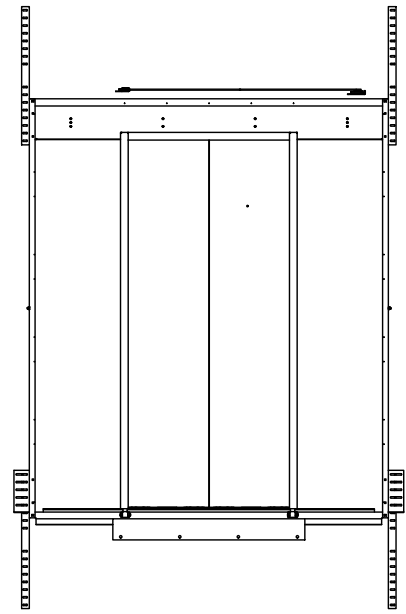
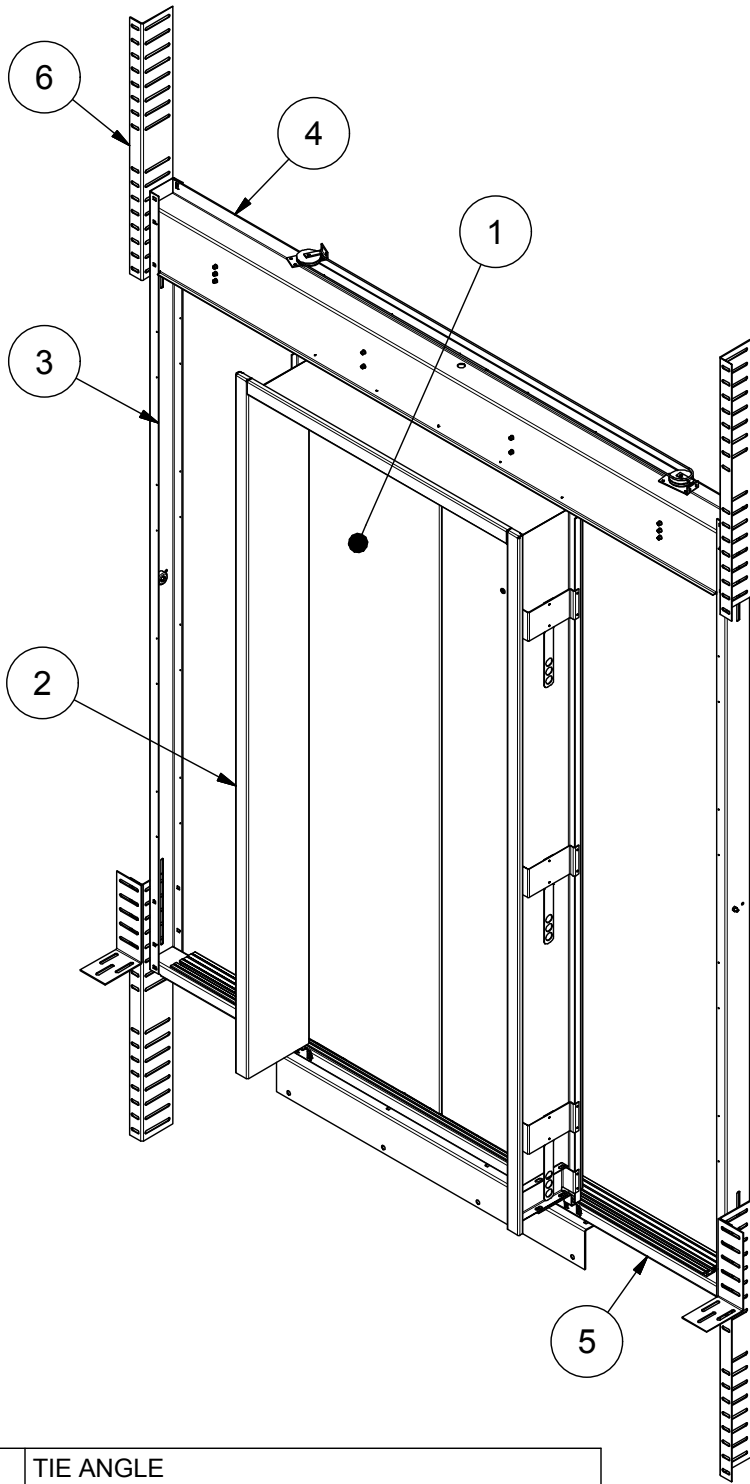
RAL 9002  
GREY WHITE



RAL 9003  
SIGNAL WHITE



RAL 9016  
TRAFFIC WHITE



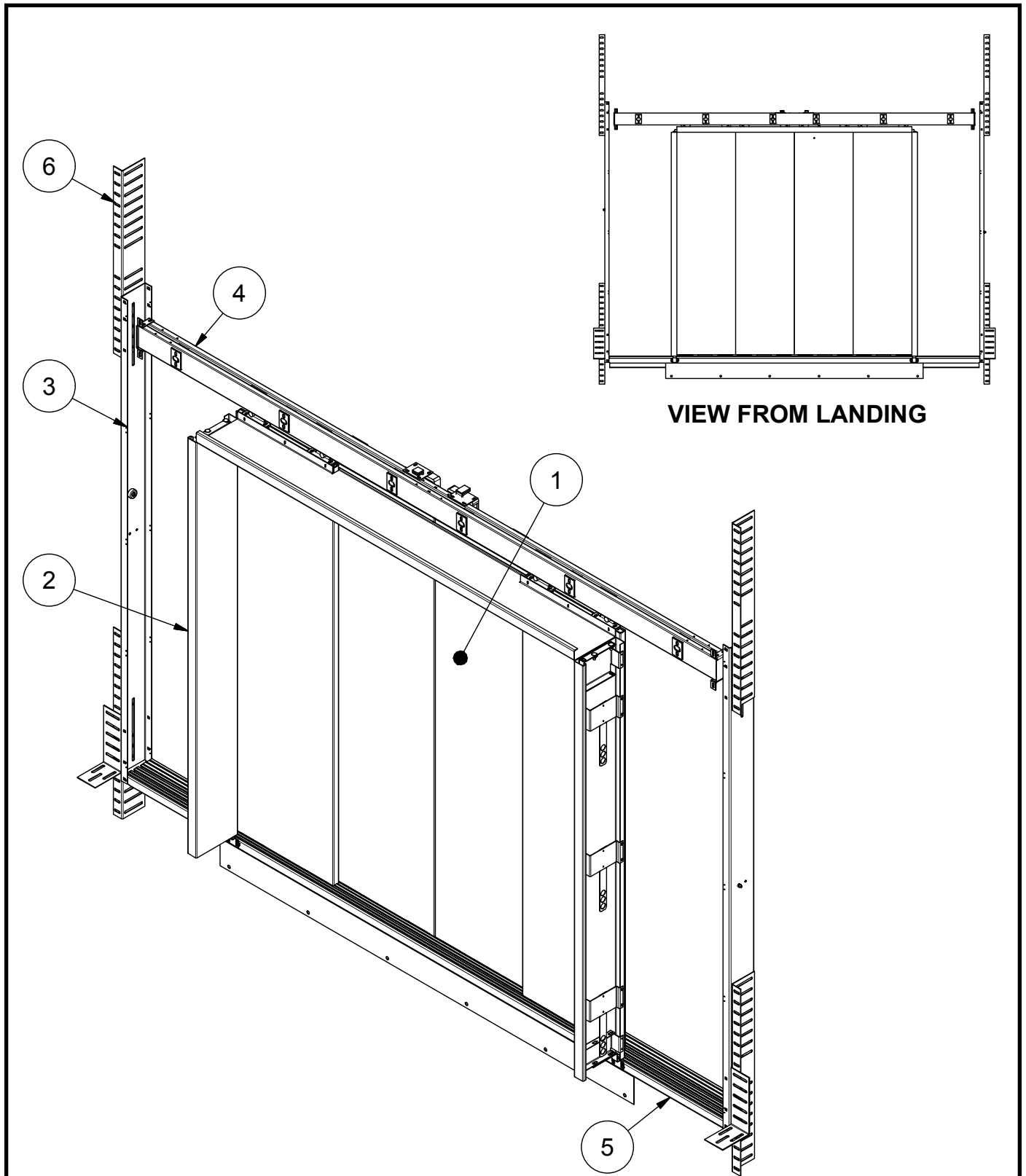
VIEW FROM LANDING

6	TIE ANGLE
5	SILL SUPPORT
4	HEADER ASSEMBLY
3	STRUT
2	ENTRANCE FRAME ASSEMBLY
1	DOOR PANEL
ITEM	DESCRIPTION

**SINGLE SPEED  
CENTER OPENING - 1CO**

1 1/2 HOUR FIRE DOORS FOR USE IN MASONRY &  
DRYWALL CONSTRUCTIONS

**MAX FIRE RATED SIZE - 96 in W x 120 in H**



VIEW FROM LANDING

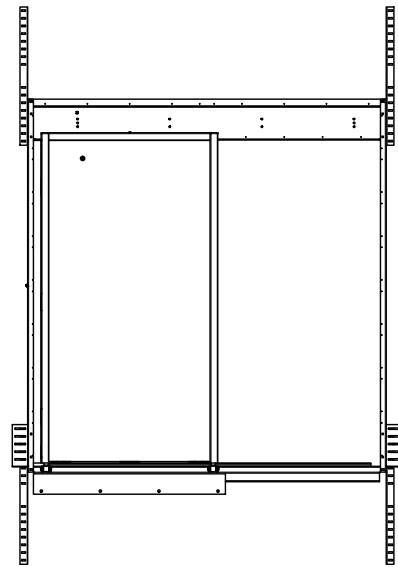
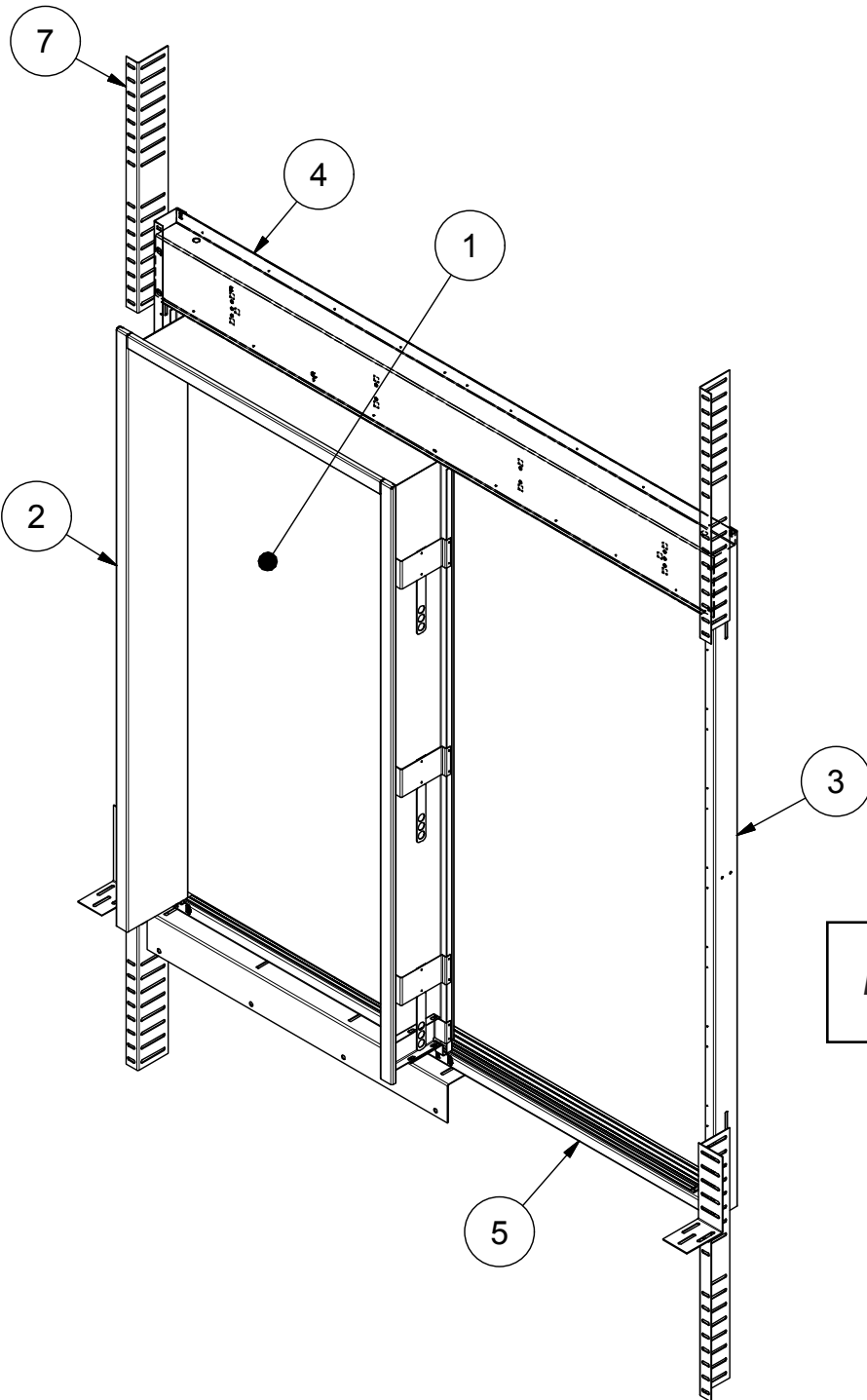
6	TIE ANGLE
5	SILL SUPPORT
4	HEADER ASSEMBLY
3	STRUT
2	ENTRANCE FRAME ASSEMBLY
1	DOOR PANEL
ITEM	DESCRIPTION

**TWO SPEED  
CENTER OPENING - 2CO**

1 1/2 HOUR FIRE DOORS FOR USE IN MASONRY & DRYWALL CONSTRUCTIONS

MAX FIRE RATED SIZE (MASONRY) - 144 in W x 120 in H

MAX FIRE RATED SIZE (DRYWALL) - 96 in W x 120 in H



**VIEW FROM LANDING**

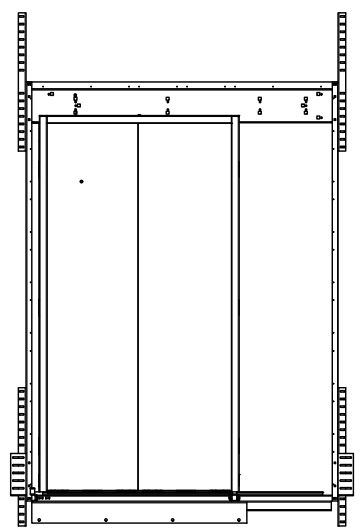
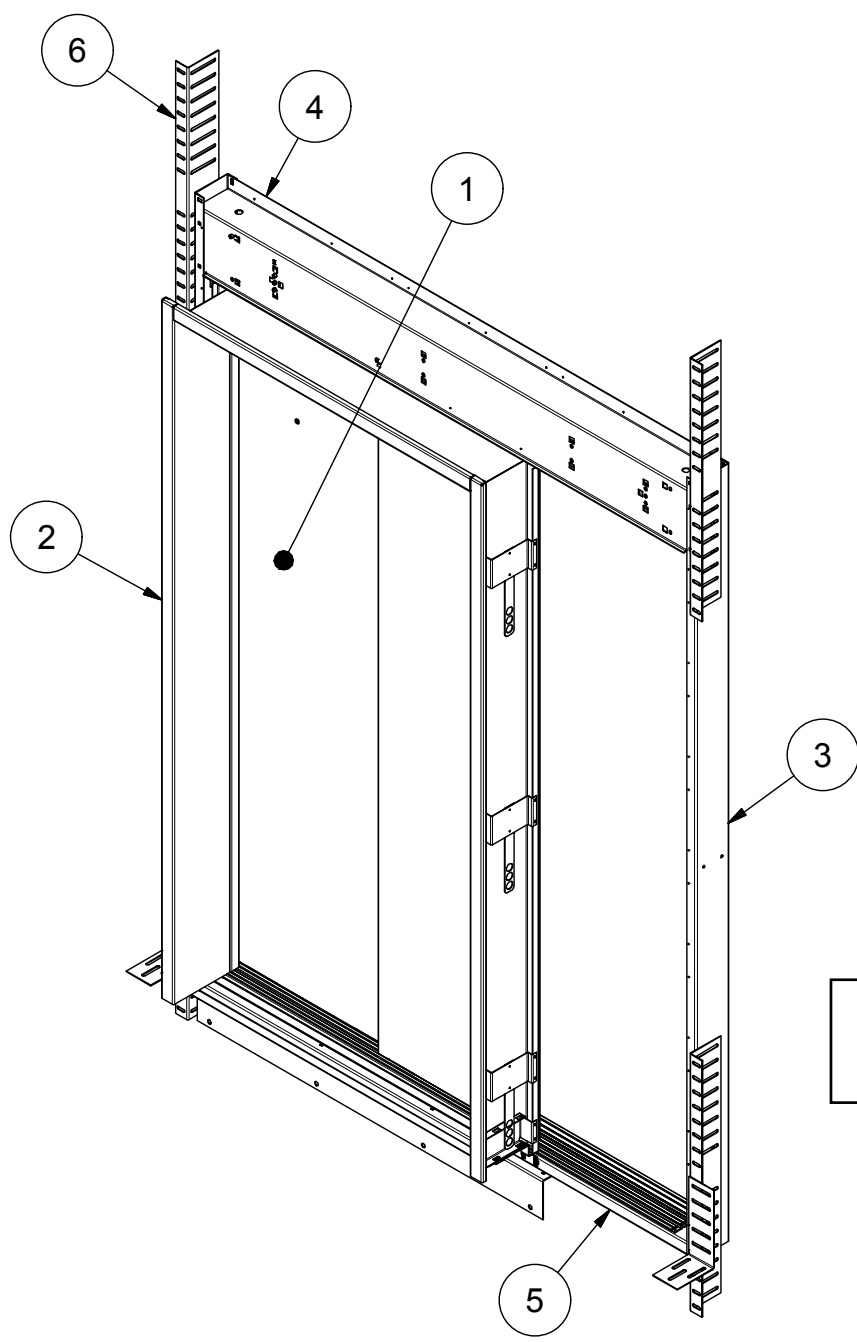
**LEFT HAND SHOWN**

7	TIE ANGLE
5	SILL SUPPORT
4	HEADER ASSEMBLY
3	STRUT
2	ENTRANCE FRAME ASSEMBLY
1	DOOR PANEL
ITEM	DESCRIPTION

**SINGLE SPEED  
SIDE OPENING - 1SO**

1 ½ HOUR FIRE DOORS FOR USE IN MASONRY &  
DRYWALL CONSTRUCTIONS

**MAX FIRE RATED SIZE - 48 in W x 120 in H**



**VIEW FROM LANDING**

**LEFT HAND SHOWN**

6	TIE ANGLE
5	SILL SUPPORT
4	HEADER ASSEMBLY
3	STRUT
2	ENTRANCE FRAME ASSEMBLY
1	DOOR PANEL
ITEM	DESCRIPTION

**TWO SPEED  
SIDE OPENING - 2SO**

**1 1/2 HOUR FIRE DOORS FOR USE IN MASONRY & DRYWALL CONSTRUCTIONS**

**MAX FIRE RATED SIZE - 96 in W x 120 in H**